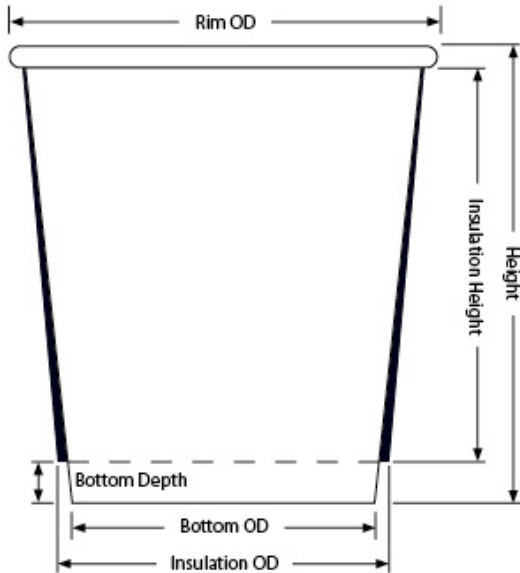




# X2D9 9oz Drink Cup (D9)

8/9oz Double Wall Paper Cup



---

**Capacity:** 8.80oz / 260.00ml

---

**Material:** 16.5pt Paper, Poly 1-side, FSC SFI PEFC Certified

---

**Minimum:** 500 pieces

---

**Height:** 3.356"  $\pm$ .015

---

**Rim Height:** 0.150"  $\pm$ .010

---

**Rim OD:** 3.143"  $\pm$ .010

---

**Bottom OD:** 2.215"  $\pm$ .010

---

**Bottom Depth:** 0.301"  $\pm$ .010

---

**Shipping:** FOB NV

---

9oz Drink Cup (D9) available in [Double Wall](#)  
[Plastic-Free Double Wall](#)

---

## X2D9 Standard Case Pack Configuration

Box Dimensions: 22.00"x13.06"x15.33"

Box Volume: 2.55 Cubic Feet

Box Weight: 19 lbs

Box Content: 500 Pieces

Pallet Dimensions: 40.00"x48.60"x97"

Pallet Weight: 729 lbs

Pallet Content: 18,000 Pieces / 36 Boxes

SEE LID OPTIONS ON LAST PAGE

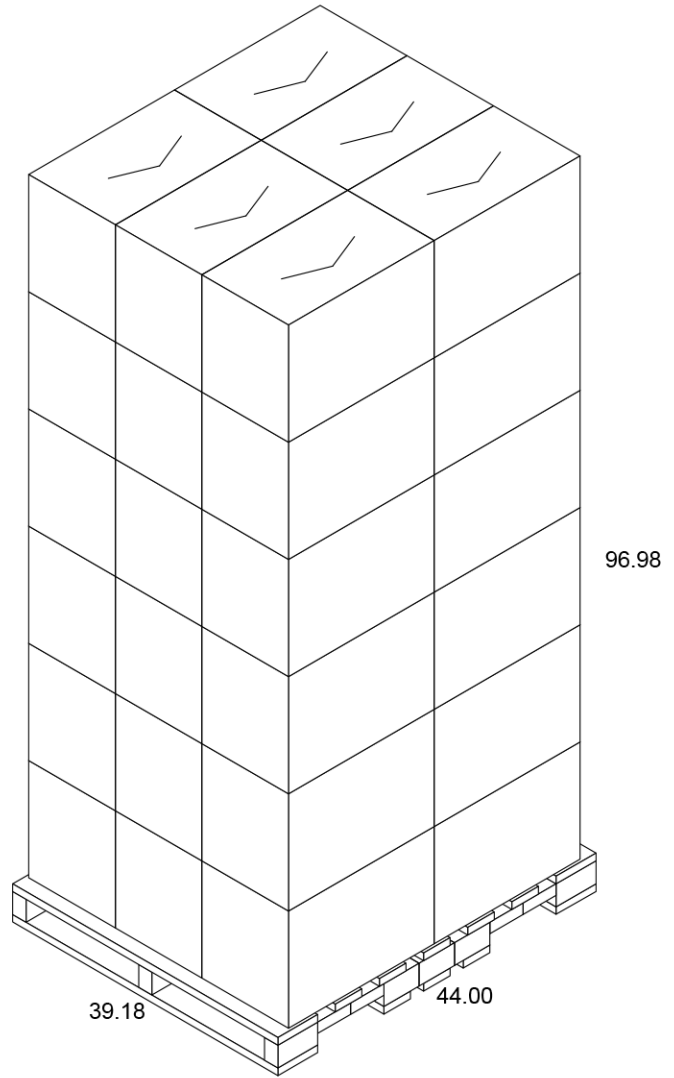
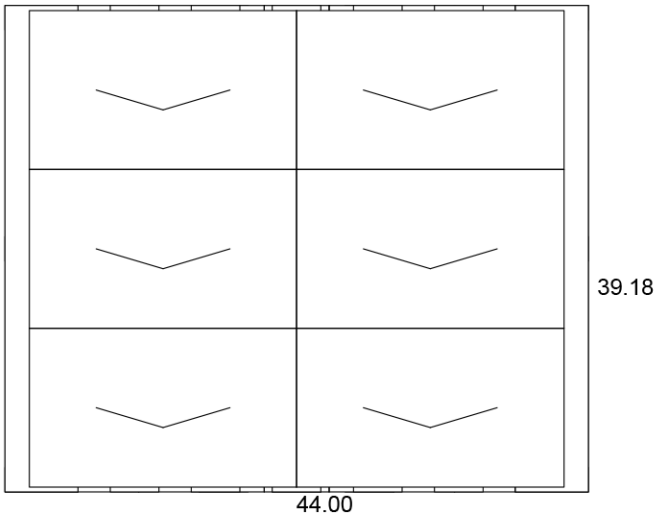
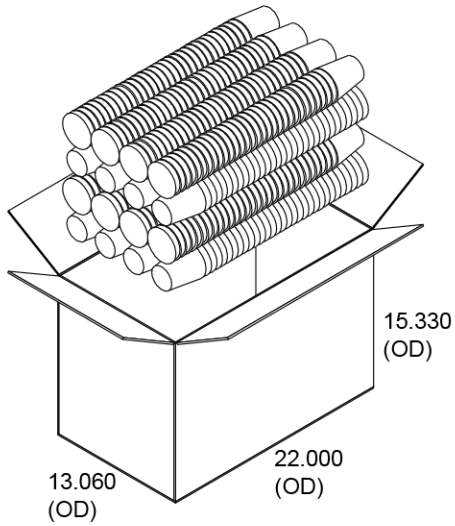
*Specifications to be used for the evaluation and purchase of Visstun® products only and are subject to change without notice.*

*All orders are subject to 10% over to 10% under run.*

*VisstunPromo.com July 2026 Page 1/3*

# Pallet for X2D9 (Gloss), XHD9 (Matte)

## 8/9oz Double Wall Paper Cup





## Lid Options for X2D9 (Gloss), XHD9 (Matte) 8/9oz Double Wall Paper Cup



### Clear Single-Use Lid

- Clear, thermo-formed
- With straw slot
- Case: 1,000 - 7 lbs



### Cappuccino Lid

- White/Black, thermo-formed
- Vented lid
- Case: 1,000 - 8 lbs