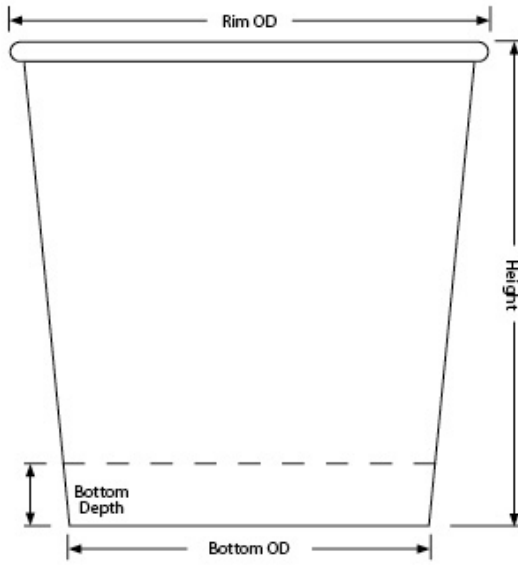




# MNR6 Pint 16oz Container (R6)

16oz Pint-R6 VANISH® Plastic-FREE Paper Cntr



---

**Capacity:** 16.10oz / 476.00ml

---

**Material:** 16.9pt VANISH® Plastic-FREE, Compostable, Recyclable Paper SFI PEFC Certified

---

**Minimum:** 1,000 pieces

---

**Height:** 3.885" ±.015

---

**Rim Height:** 0.150" ±.010

---

**Rim OD:** 3.839" ±.010

---

**Bottom OD:** 2.889" ±.010

---

**Bottom Depth:** 0.400" ±.010

---

**Shipping:** FOB NV

---

Pint 16oz Container (R6) available in [Double-Poly Paper](#) [Single-Poly Paper](#) [Plastic-Free Paper](#)

---

## MNR6 Standard Case Pack Configuration

Box Dimensions: 19.70"x15.86"x23.83"

Box Volume: 4.31 Cubic Feet

Box Weight: 31 lbs

Box Content: 1,000 Pieces

Pallet Dimensions: 40.00"x48.00"x92"

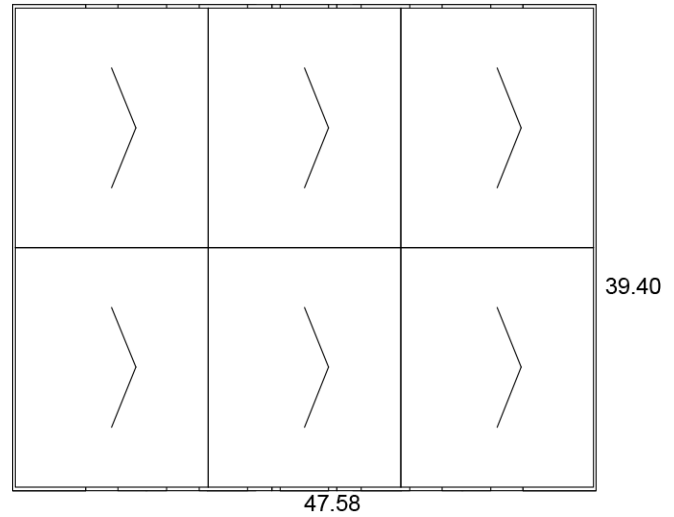
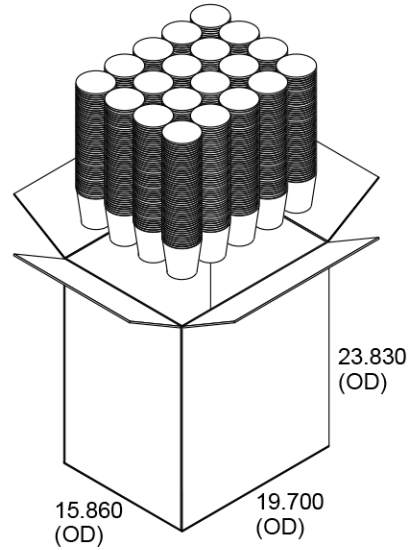
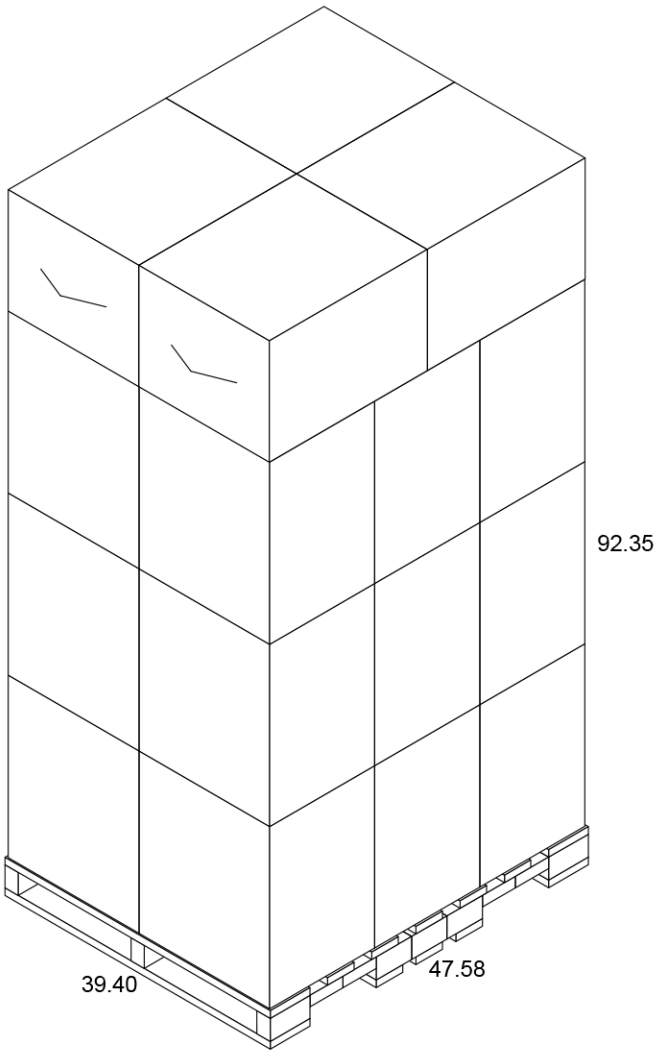
Pallet Weight: 727 lbs

Pallet Content: 22,000 Pieces / 22 Boxes

**SEE LID OPTIONS ON LAST PAGE**

# Pallet for MNR6 (Matte)

16oz Pint-R6 VANISH® Plastic-FREE Paper Cntr



## Lid Options for MNR6 (Matte)

16oz Pint-R6 VANISH® Plastic-FREE Paper Cntr



### P2 Printed Snap-Fit Paper

- Hi-Definition, Full Color
- Customizable
- Seamlessly registered text
- Uninterrupted text
- Three week leadtime
- Case: 500 - 12 lbs



### Reusable Basic Lids

- Reusable, injection molded
- Black & white standard
- With & without straw slot
- Case: 1,000 - 16 lbs



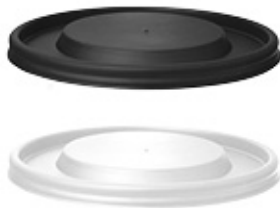
### Clear Single-Use Lid

- Clear, thermo-formed
- With & without straw slot
- Case: 1,000 - 9 lbs



### Clear U-Dome Lid

- Clear, thermo-formed
- Container fits in lid
- Case: 1,000 - 12 lbs



### Deli/Soup Lid

- Black/white thermo-formed
- Vented lid
- Case: 1,000 - 10 lbs