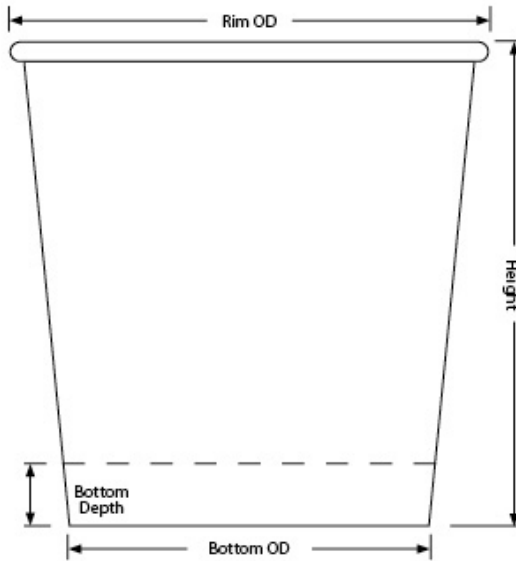




C9R6 Pint 16oz Container (R6)

16oz PINT-R6 Recycled Paper Container-Double Poly



Capacity: 16.10oz / 476.00ml

Material: 17pt Recycled Paper, Poly 2-sides, 35% Post-Consumer Recycled Fiber, FSC SFI PEFC Certified

Minimum: 2,000 pieces

Height: 3.885" \pm .015

Rim Height: 0.150" \pm .010

Rim OD: 3.839" \pm .010

Bottom OD: 2.889" \pm .010

Bottom Depth: 0.400" \pm .010

Shipping: FOB NV - Made in the USA

Pint 16oz Container (R6) available in [Double-Poly Paper](#)
[Single-Poly Paper](#) [Plastic-Free Paper](#)

C9R6 Standard Case Pack Configuration

Box Dimensions: 1.15"x15.86"x23.83"

Box Volume: 0.25 Cubic Feet

Box Weight: 32 lbs

Box Content: 1,000 Pieces

Pallet Dimensions: 40.00"x48.00"x92"

Pallet Weight: 749 lbs

Pallet Content: 22,000 Pieces / 22 Boxes

SEE LID OPTIONS ON LAST PAGE

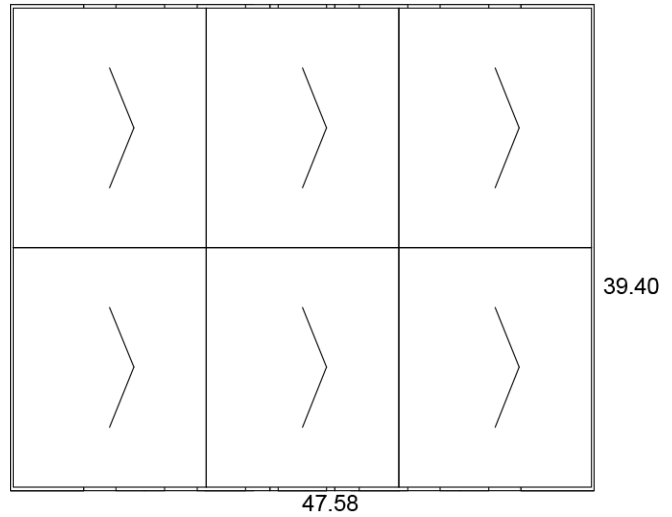
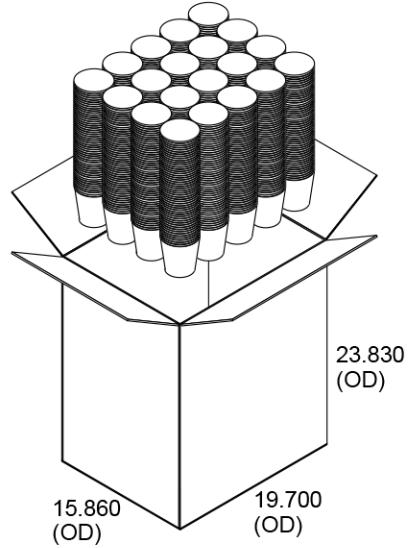
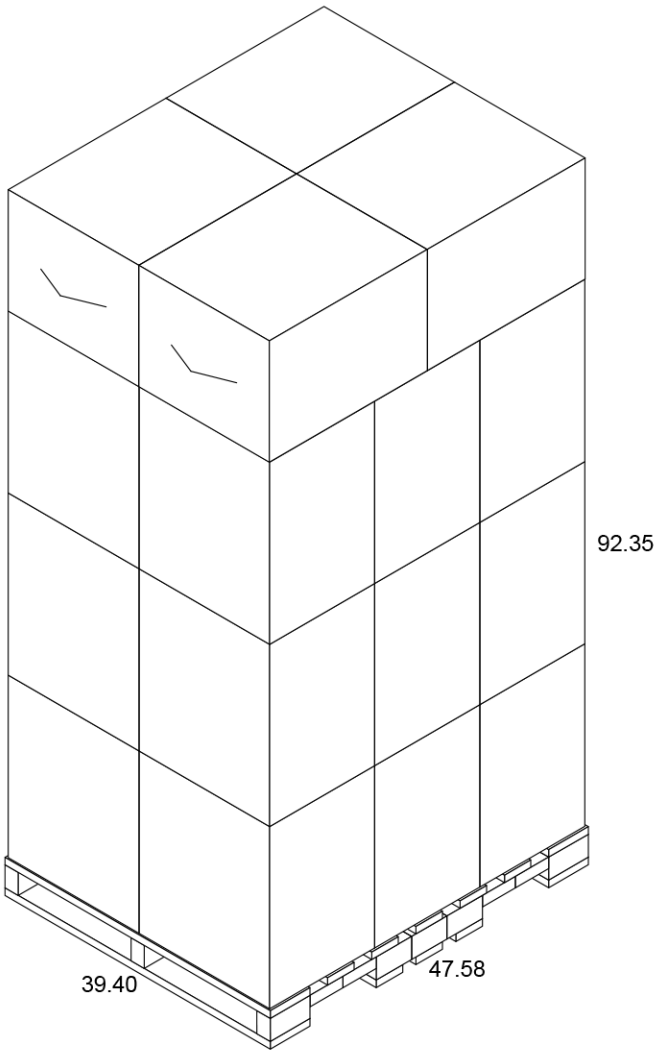
Specifications to be used for the evaluation and purchase of Visstun® products only and are subject to change without notice.

All orders are subject to 10% over to 10% under run.

VisstunPromo.com April 2025 Page 1/3

Pallet for C9R6 (Gloss), M9R6 (Matte)

16oz PINT-R6 Recycled Paper Container-Double Poly



Lid Options for C9R6 (Gloss), M9R6 (Matte) 16oz PINT-R6 Recycled Paper Container-Double Poly



P2 Printed Snap-Fit Paper

- Hi-Definition, Full Color
- Customizable
- Seamlessly registered text
- Uninterrupted text
- Three week leadtime
- Call for shipping info



Reusable Basic Lids

- Reusable, injection molded
- Black & white standard
- With & without straw slot
- Call for shipping info



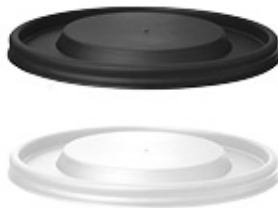
Clear Single-Use Lid

- Clear, thermo-formed
- With & without straw slot
- Call for shipping info



Clear U-Dome Lid

- Clear, thermo-formed
- Container fits in lid
- Call for shipping info



Deli/Soup Lid

- Black/white thermo-formed
- Vented lid
- Call for shipping info